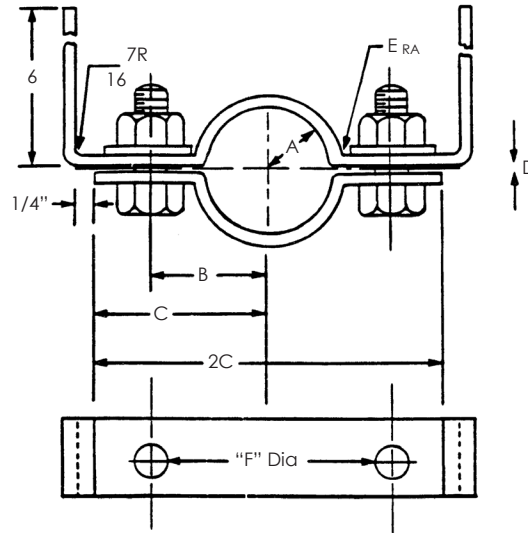


# Pipe Hanger: Shipboard Pipe Hanger Type III

## PIPE HANGER: SHIPBOARD PIPE HANGER TYPE III



Pipe Hanger							
Pipe Size I.P.S.	A	B	C	D	E	F	Flat Bar Size
1/4	13/32	1-1/8	1-5/8	1-16	13/32	3/8	1 x 1/8
3/8	15/32	1-1/4	1-3/4	1-16	13/32	3/8	1 x 1/8
1/2	35/64	1-5/16	1-13/16	1-16	13/32	3/8	1 x 1/8
3/4	21/32	1-7/16	1-15/16	1-16	13/32	3/8	1 x 3/16
1	25/32	1-9/16	2-1/16	1-16	13/32	3/8	1 x 3/16
1-1/4	61/64	1-15/16	2-1/2	1-16	13/32	3/8	1 x 3/16
1-1/2	1-5/64	2-1/16	2-5/8	1-16	13/32	3/8	1 x 3/16
2	1-5/16	2-5/16	2-7/8	1-16	13/32	1/2	1 x 3/16
2-1/2	1-9/16	2-9/16	3-1/8	1-16	13/32	1/2	1 x 1/4
3	1-7/8	3-1/8	3-15/16	1-16	13/32	1/2	1 x 1/4
3-1/2	2-1/8	3-5/16	4-3/16	1-16	13/32	1/2	1 x 1/4
4	2-3/8	4-1/8	5	1-16	13/32	1/2	1 x 1/4

<b>Material</b>	Steel ASTM-A36
<b>Finish</b>	Galvanized when called for. DWG 53711, 810-1385781 Rev. D.

Also, pipe hangers in accordance with:

NAVSHIPS DWG. #845-2445497

BUSHIPS DWG. #5000-S4823-1385782

BUSHIPS DWG. #845-1889878 & #845-1889880



website [www.sunbeltstudwelding.com](http://www.sunbeltstudwelding.com) email [info@sunbeltstudwelding.com](mailto:info@sunbeltstudwelding.com)  
 6381 Windfern Road, Houston, TX 77040 telephone 1.800.462.9353 - Houston 713.939.8903 fax 713.939.9013