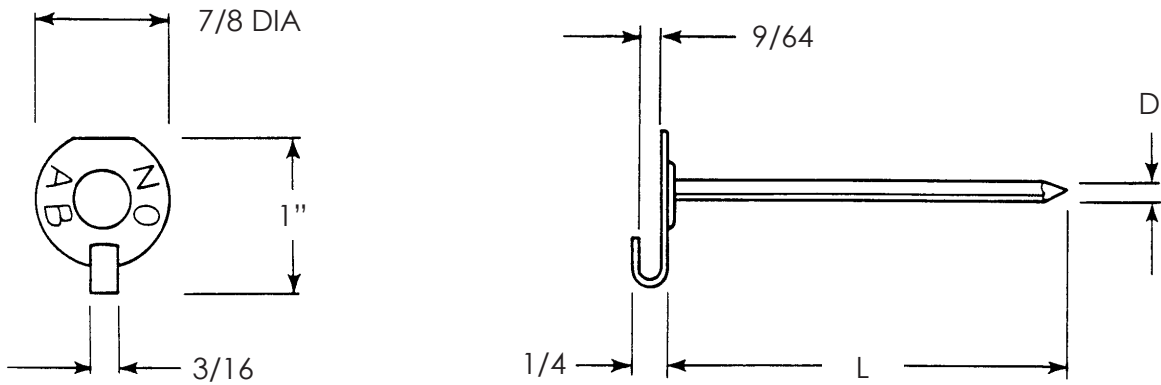


# Insulation Pins

## SERIES 74 LACING-ANCHORS



<b>Size</b>	D	12 GA and 14 GA are standard. Other sizes available by special order only.
<b>Length</b>	L	2-1/2" and 4-1/2" are standard. Other lengths are available by special order only.

<b>Material</b>	Low Carbon Steel	Stainless
<b>Plating</b>	Cadmium plating is standard	Does not apply to Stainless

<b>Other Materials</b>	Available by special order only
------------------------	---------------------------------

<b>Washers</b>	Self-locking washers are available in a variety of sizes, shapes and materials.
----------------	---

To order or specify give: Product Code, Length, Size, Material and Quantity  
 Example: LA 74, 2-1/2", 12 GA, Low Carbon Steel, 2500 pcs.



website [www.sunbeltstudwelding.com](http://www.sunbeltstudwelding.com) email [info@sunbeltstudwelding.com](mailto:info@sunbeltstudwelding.com)  
 6381 Windfern Road, Houston, TX 77040 telephone 1.800.462.9353 - Houston 713.939.8903 fax 713.939.9013