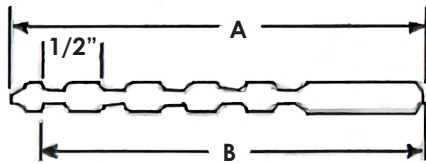


Refractory Weld Studs: Insultwist

REFRACTORY WELD STUDS: INSULTWIST

Product Code: IT



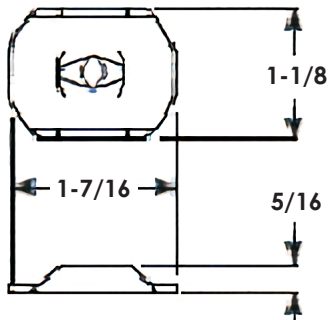
Stud	
Min Length	2"
Ferrule Code	F187

	Inconel	Stainless Steel
Material	AISI grade - 601 std. Other grades available upon request	AISI grade - 304, 310 and 330 standard Other grades available upon request
Mechanical Properties	Values for various grades available upon request	Values for various grades available upon request

To order or specify give: **Product Code, Length, Material and Quantity**
Example: IT, 2", Stainless Steel: 310, 1000 pcs.

LOK WASHER

Product Code: WCN ULWSHR

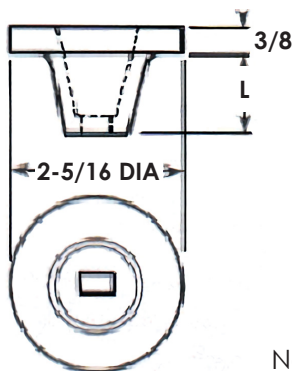


Application	Designed for 1/4 turn locking on to Sunbelt Insultwist refractory anchors.
Material	Stainless Steel: 304 Stainless Steel: 310 Stainless Steel: 330 Inconel: 601

To order or specify give: **Product Code, Material and Quantity**
Example: WCN ULWSHR, Stainless Steel: 310, 1000 pcs.

INSULTWIST LOK CUP

Product Code: WCN ULCUP



Application	Designed for 1/4 turn locking on to Sunbelt Insultwist refractory anchors.	
Material	Ceramic (High Temperature)	
Size	L	Short - 1" Long: - 2"

To order or specify give: **Product Code, Size and Quantity**
Example: WCN ULCUP, Long: - 2", 1000 pcs.

Note: Washers are not a component part of studs.

See **Accessories** for accessory detail and **Ferrule Specifications** for ferrule options.

See **Threaded and No-Thread Weld Studs – Technical Details** for industry specifications, thread options, Before Weld (BW) length, flux, raw material details, plating options, annealing, load strengths and shipping weights.