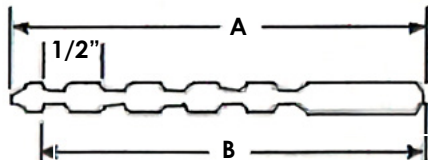


Refractory Weld Studs: Insultwist

REFRACTORY WELD STUDS: INSULTWIST PRODUCT CODE – RIT



Stud	
Min Length	2"
Ferrule Code	F025-RI

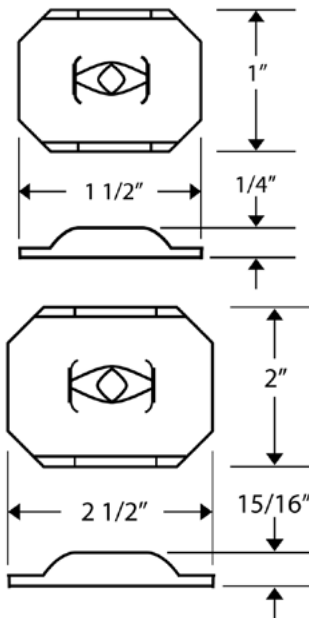
	Inconel	Stainless Steel
Material	AISI grade - 601 std. Other grades available upon request	AISI grade - 304, 310 and 330 standard Other grades available upon request
Mechanical Properties	Values for various grades available upon request	Values for various grades available upon request

To order or specify give: Product Code, Length, Material and Quantity
Example: RIT (Insultwist Pin), 2", Stainless Steel: 310, 1000 pcs.

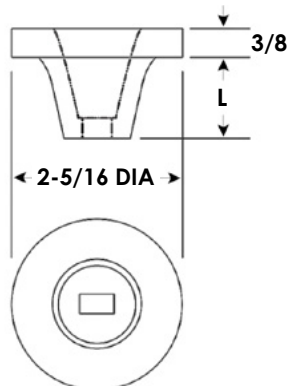
LOCK WASHER PRODUCT CODE – RIT WAS

Application	Designed for 1/4 turn locking on to Sunbelt Insultwist refractory anchors.
Material	Stainless Steel: 304 Stainless Steel: 310 Stainless Steel: 330 Inconel: 601

To order or specify give: Product Code, Material and Quantity
Example: RIT WAS, Stainless Steel: 310, 1000 pcs.



INSULTWIST LOCK CUP PRODUCT CODE – RIT CUP



Application	Designed for 1/4 turn locking on to Sunbelt Insultwist refractory anchors.	
Material	Ceramic (High Temperature)	
Size	L	Short - 1" Long - 2"

To order or specify give: Product Code, Size and Quantity
Example: RIT CUP, Long: - 2", 1000 pcs.

Note: Washers are not a component part of studs.



website www.sunbeltstudwelding.com email info@sunbeltstudwelding.com
6381 Windfern Road, Houston, TX 77040 telephone 1.800.462.9353 - Houston 713.939.8903 fax 713.939.9013